

TPC 265 B

Fig. 4-4 POWER UNIT

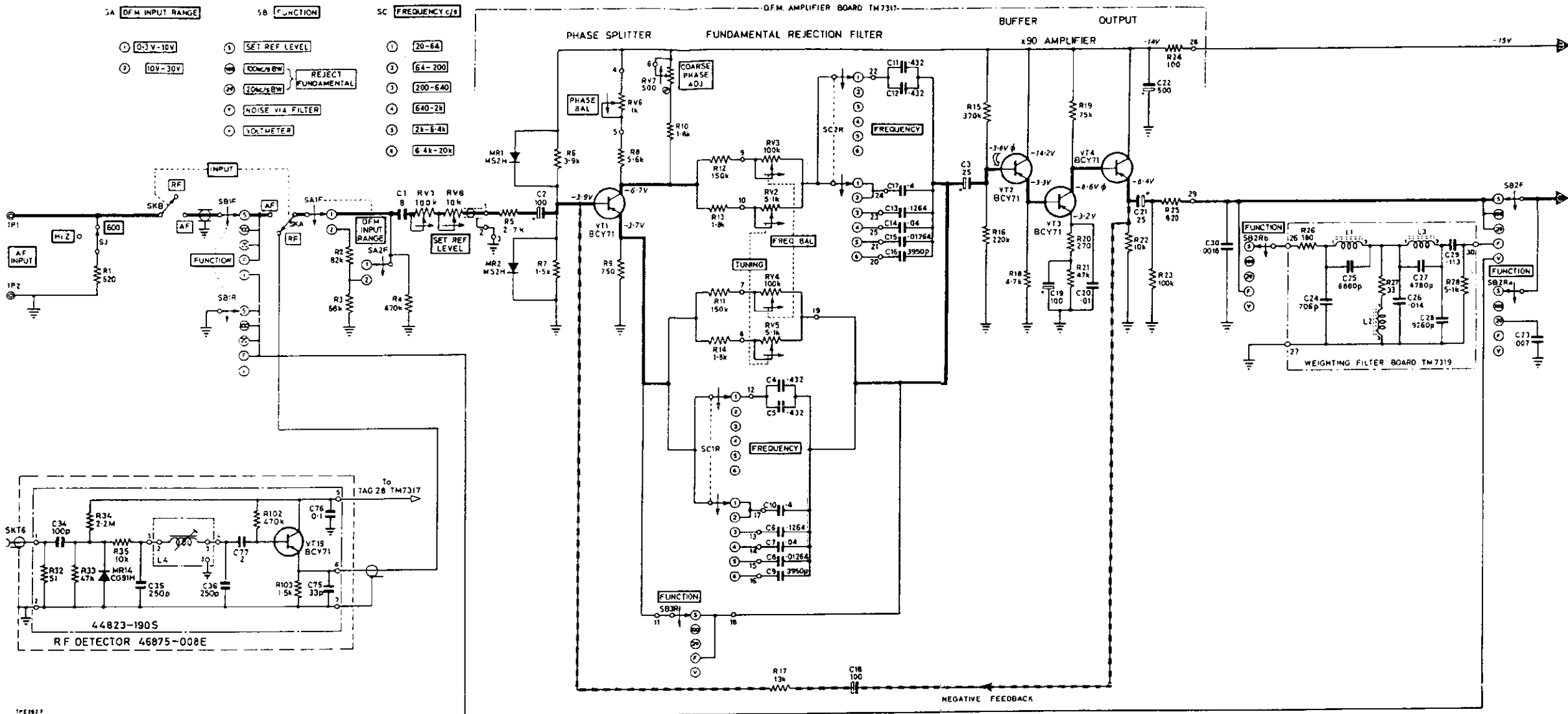


Fig. 4-5 DISTORTION FACTOR METER SECTION

dB	V
-60	00:
-50	-003
-40	-01
-30	-03
-20	-1
-10	-3
0	1 REF LEVEL
+10	3
+20	10
+30	30

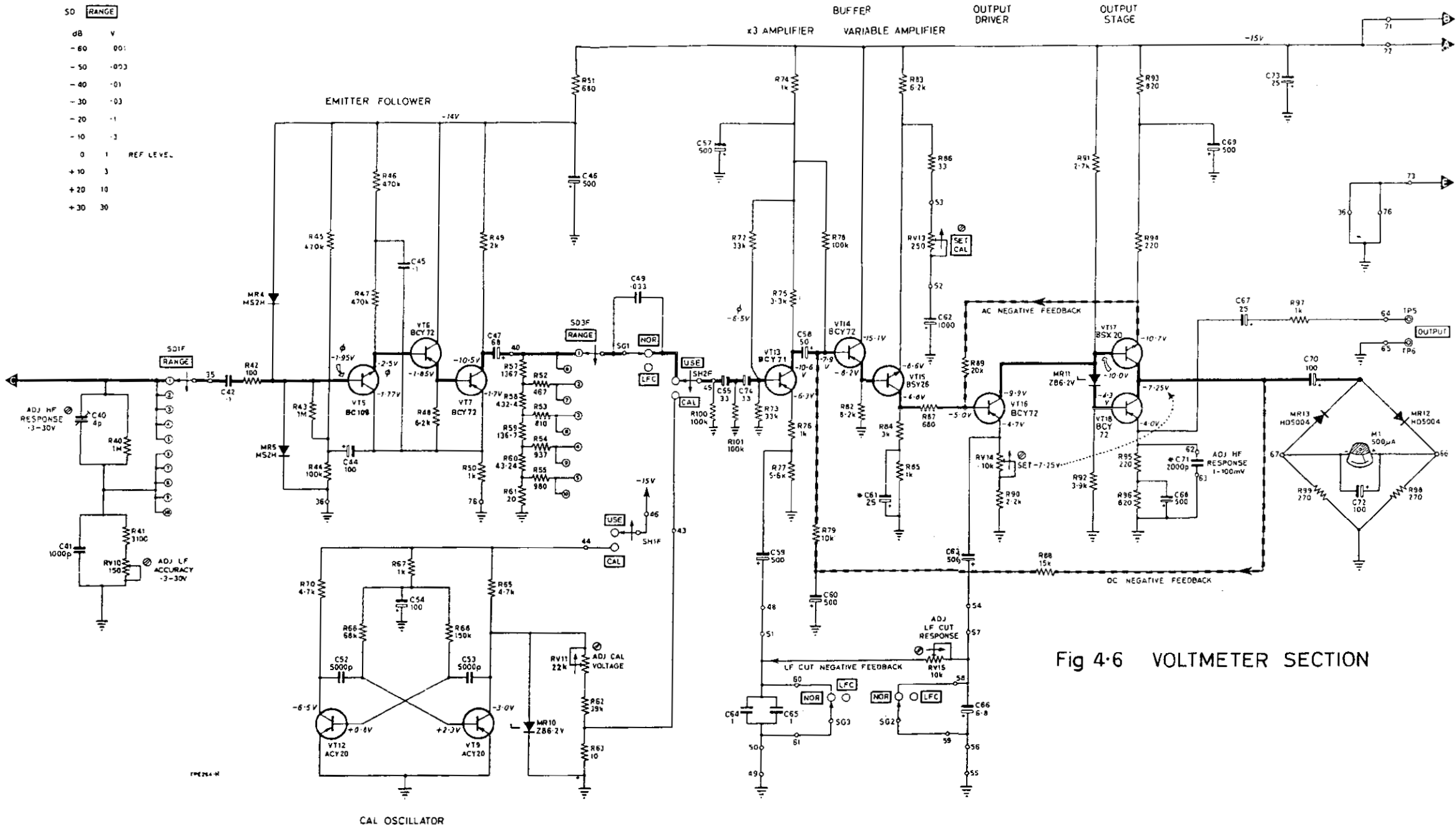


Fig 4-6 VOLTMETER SECTION