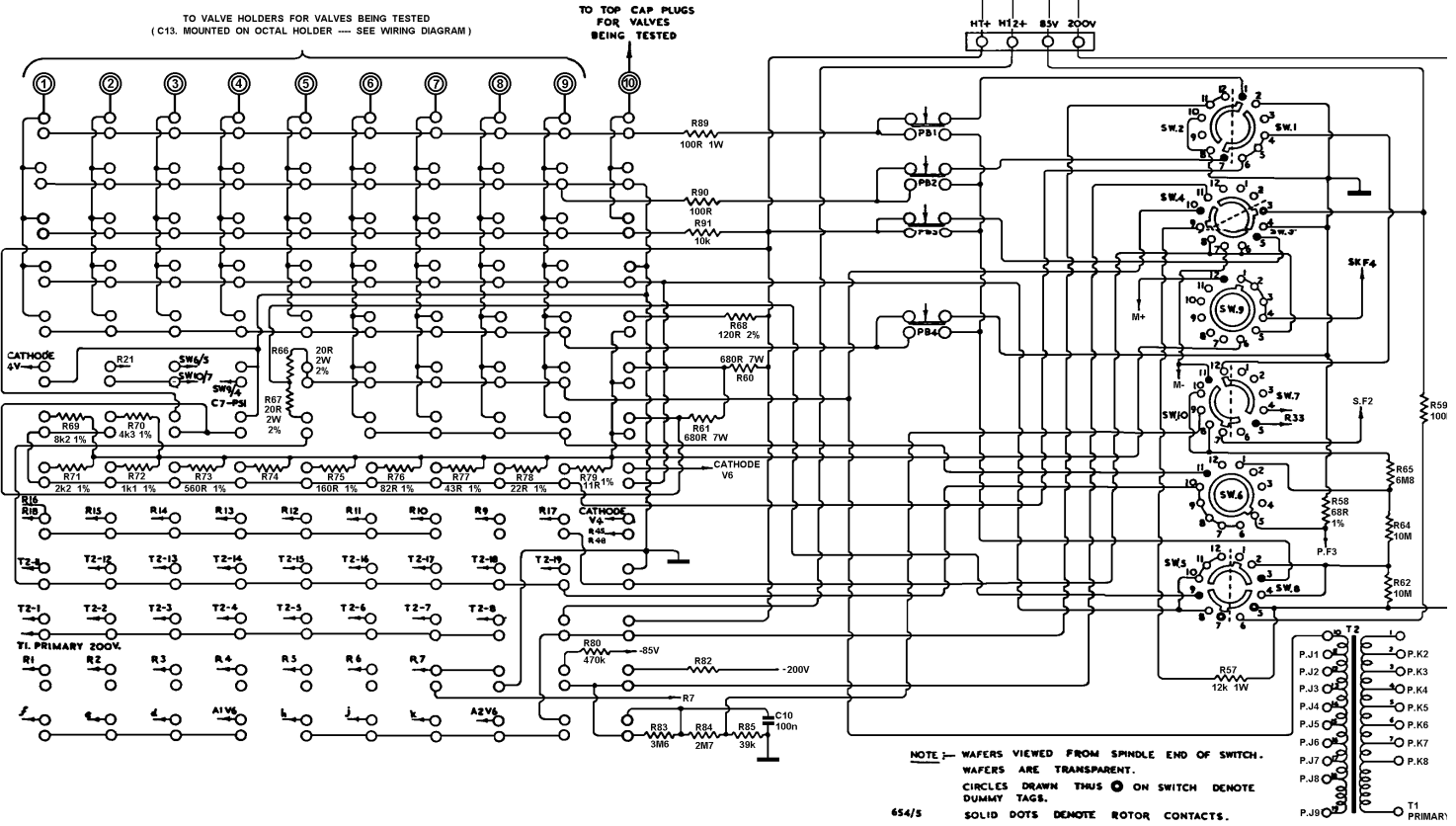
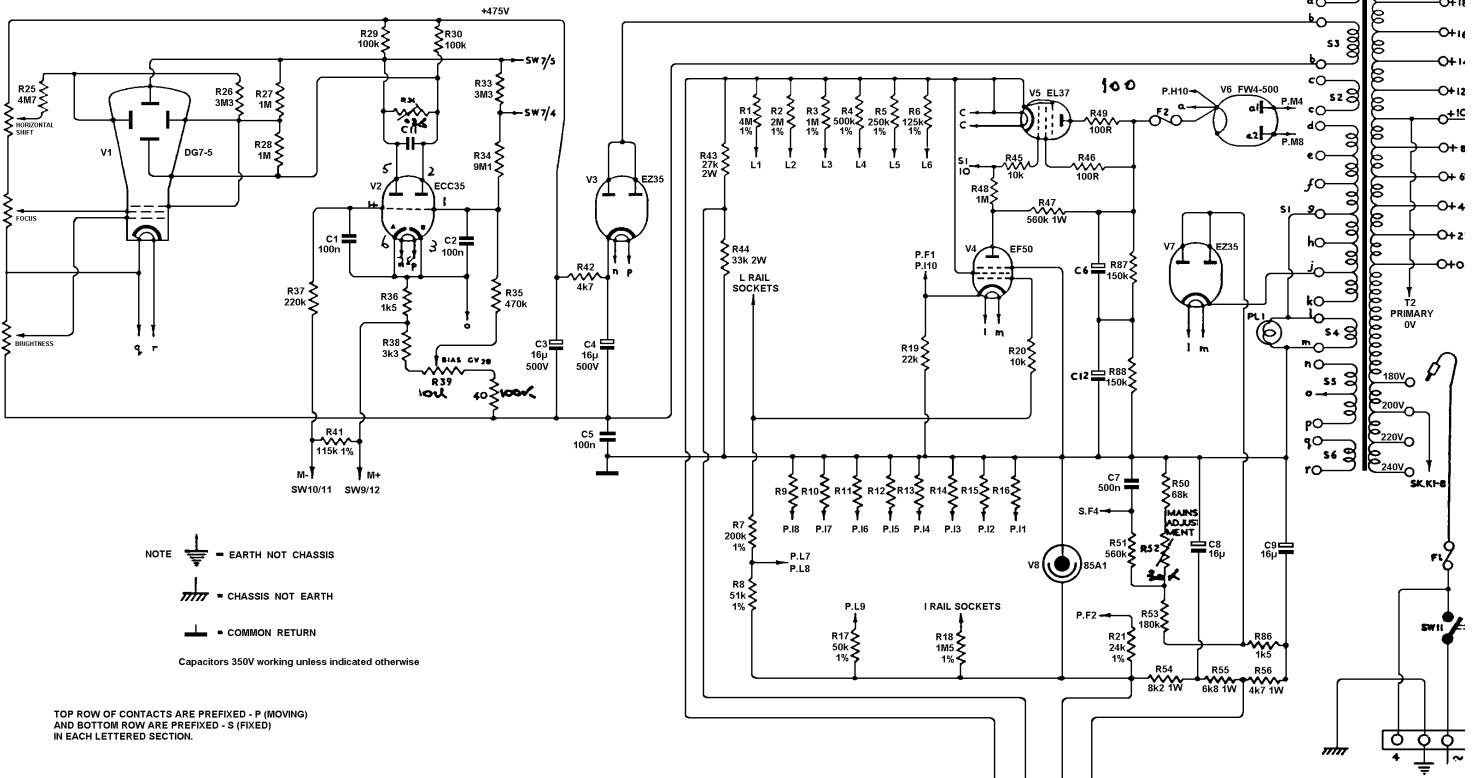
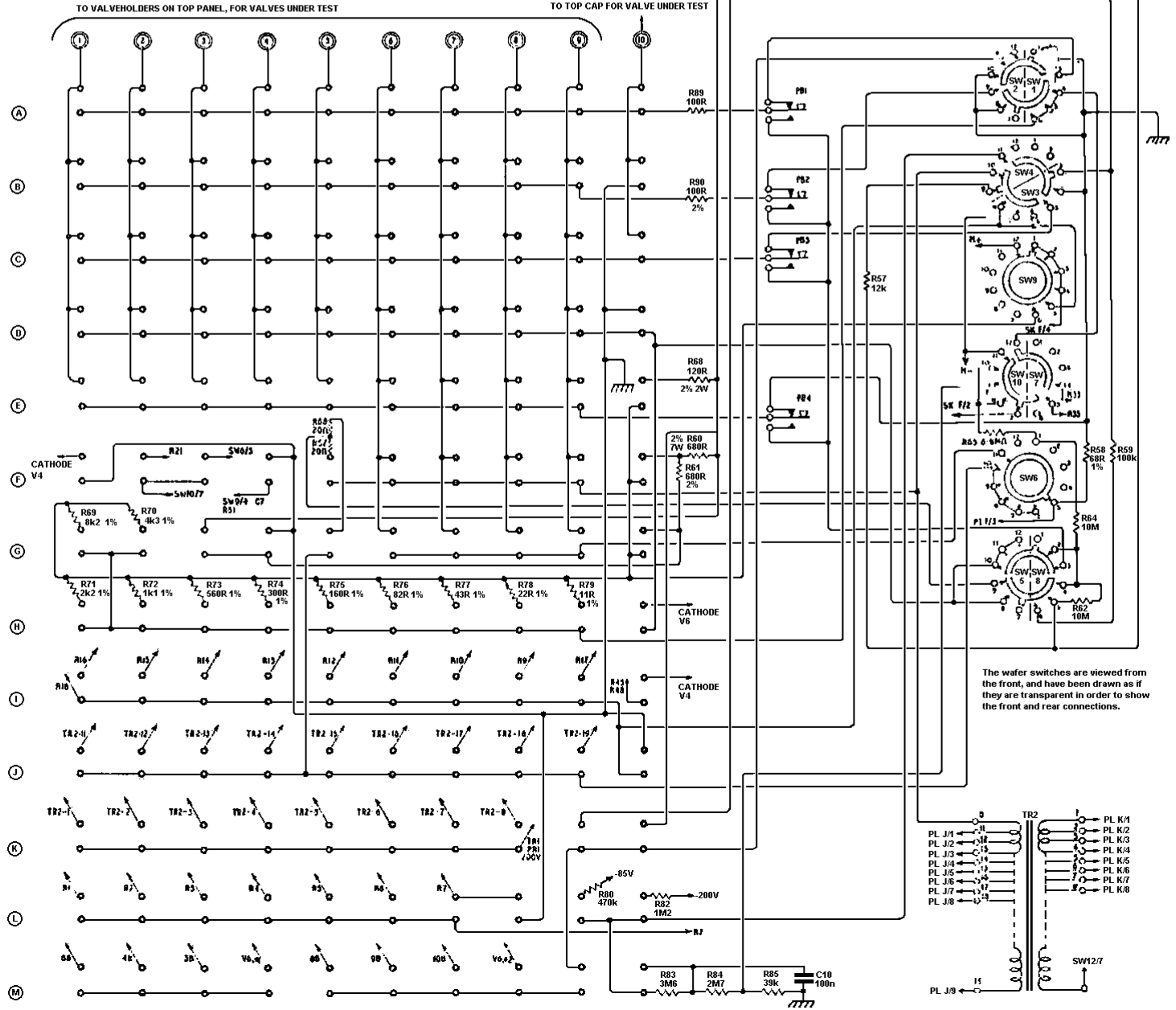
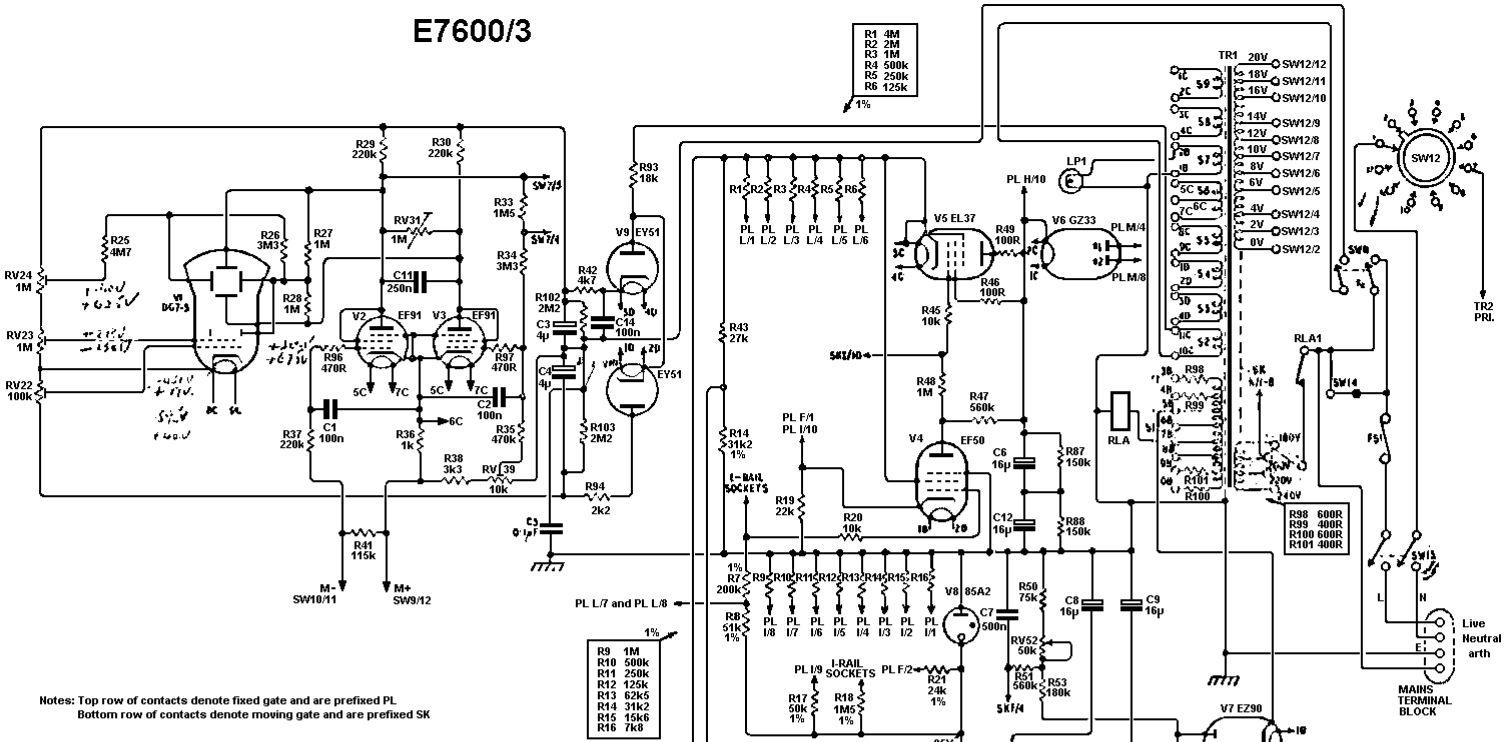


E7600

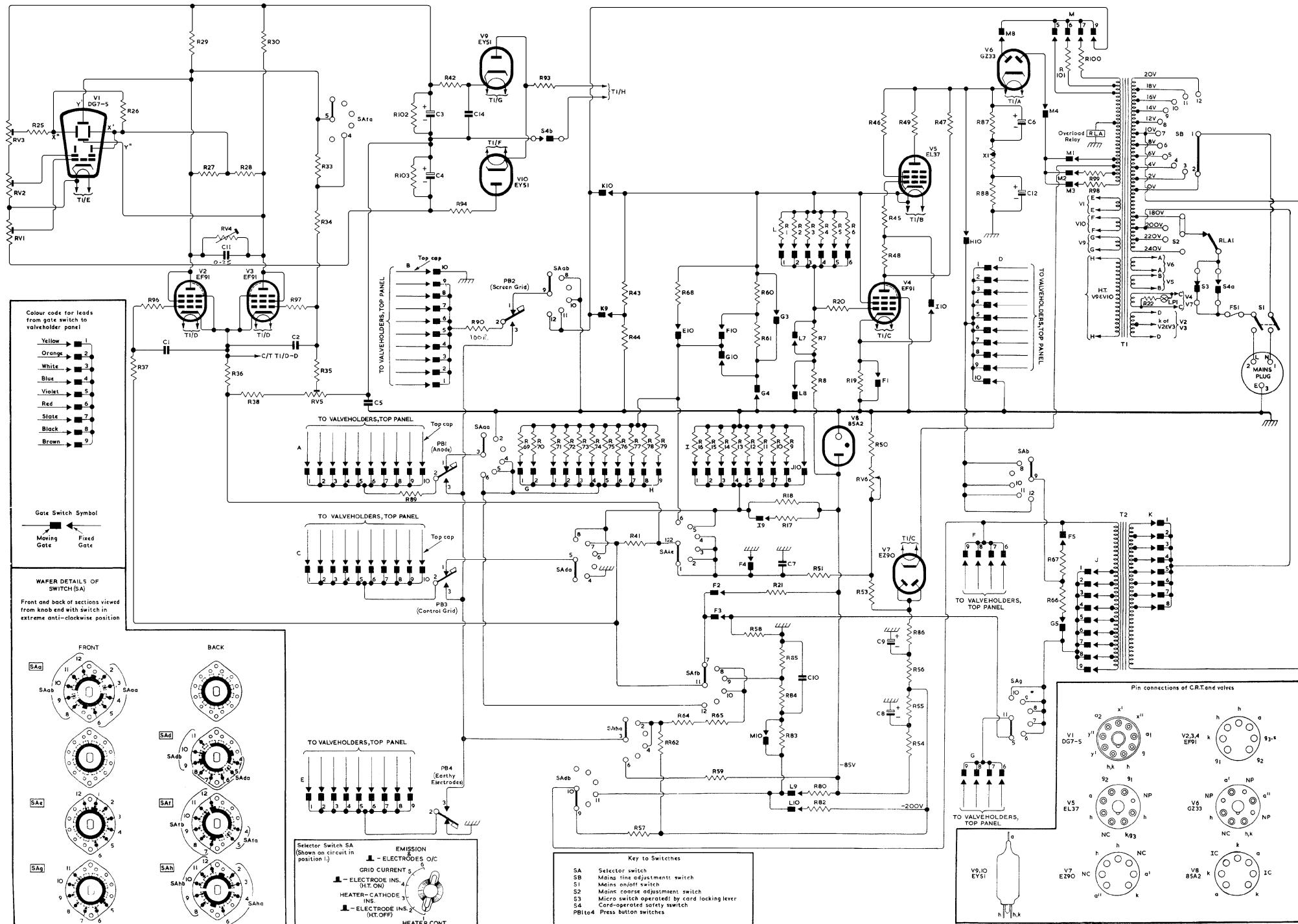


E7600/3

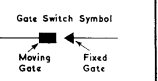


The wafer switches are viewed from the front, and have been drawn as if they are transparent in order to show the front and rear connections.

E7600/4

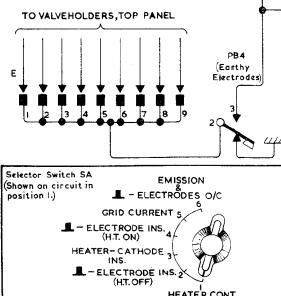
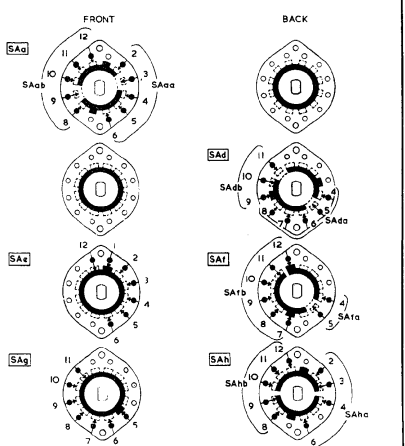


- Colour code for leads from gate switch to valveholder panel
- Yellow 1
 - Orange 2
 - White 3
 - Blue 4
 - Violet 5
 - Red 6
 - Slate 7
 - Black 8
 - Brown 9

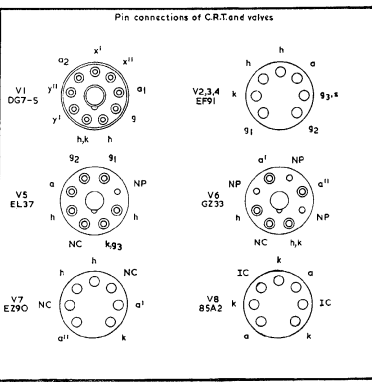


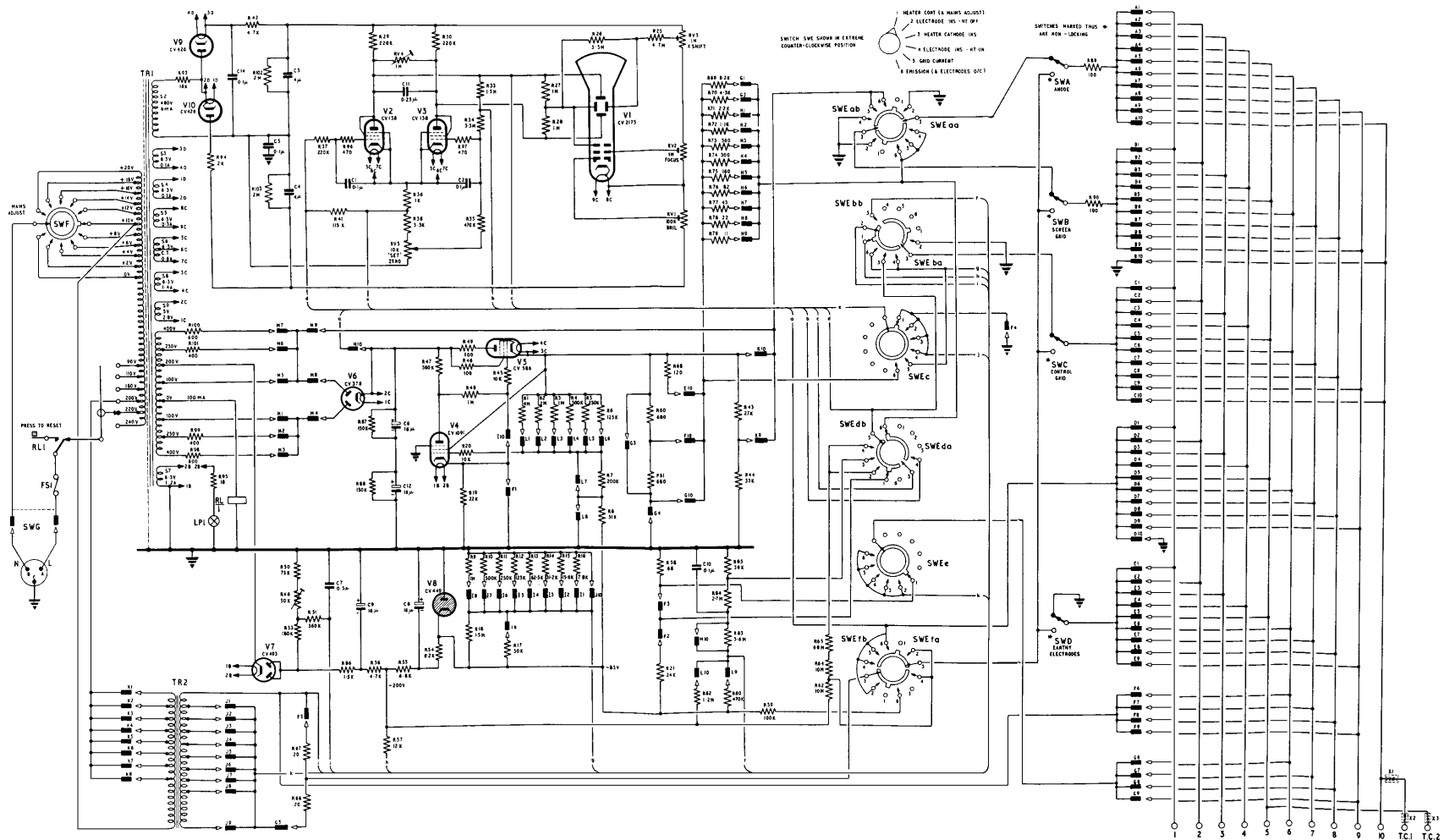
WAFER DETAILS OF SWITCH (SA)

Front and back of sections viewed from knob end with switch in extreme anti-clockwise position



- Key to Switches
- SA Selector switch
 - SB Mains fine adjustment switch
 - S1 M4ins on/off switch
 - S2 Mains coarse adjustment switch
 - S3 Micro switch operated by card locking lever
 - S4 Cord-operated safety switch
 - PB1 to 4 Press button switches





Valve test unit CTA 20 - circuit

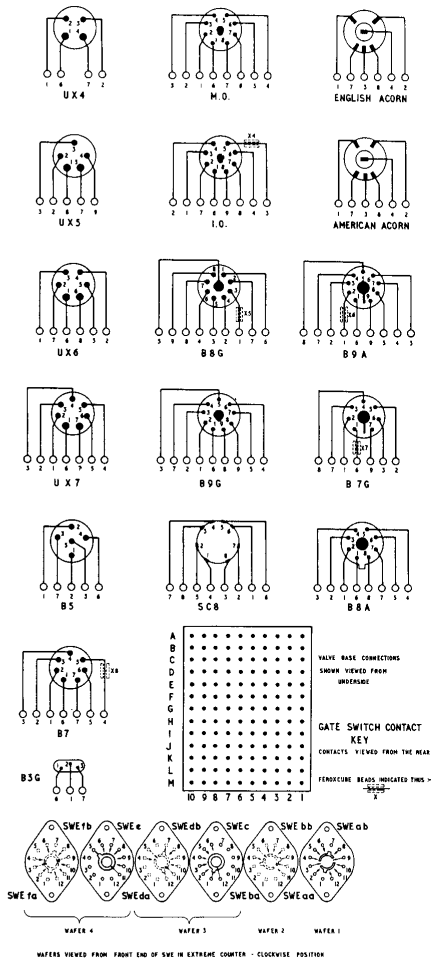


Fig. 1
(A.L. 2, Jun. 54)

Fig. 1